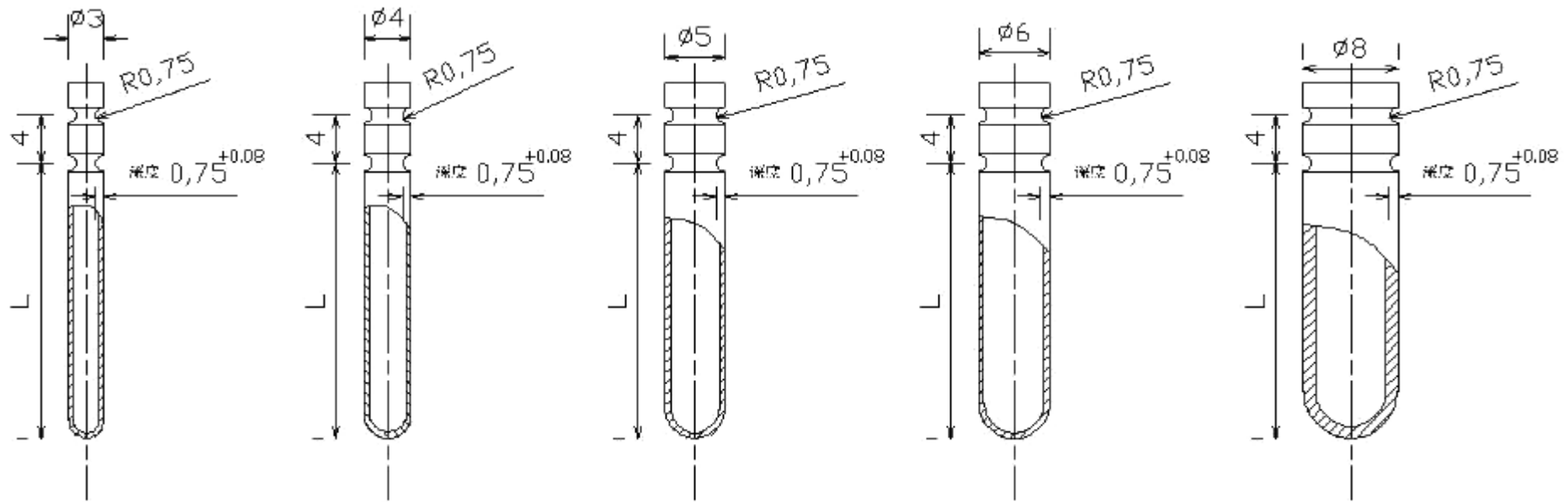


## Dies of HAN-088



\* Standard Dies : 4mm, 5mm, 6mm

$L \geq 20$  unit: mm

\* Optional Dies : 3mm, 8mm